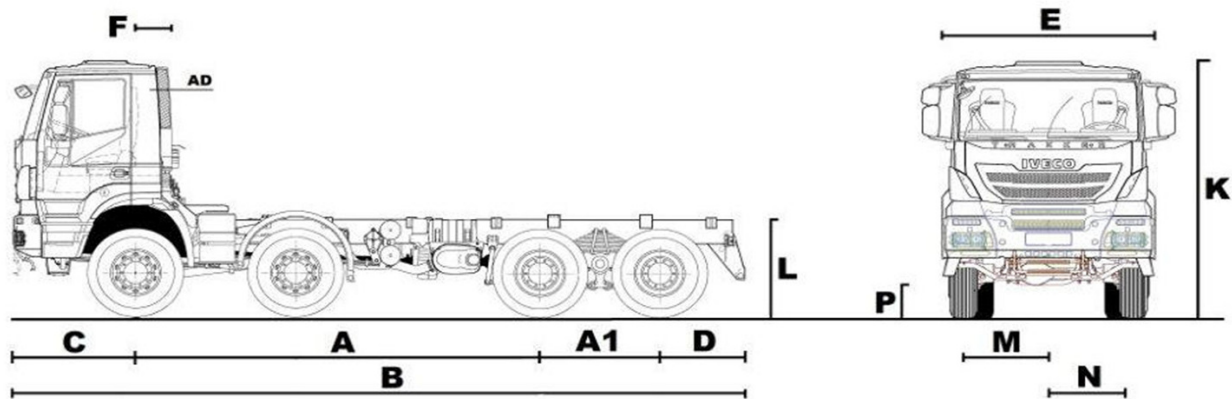


# IVECO TRAKKER

February 2013

## AD / AT 410T44 H

## Rigid 8x4



<b>WEIGHTS (kg.)</b>		<b>G.V.W.</b>	<b>G.C.W.</b>	<b>Front axle</b>	<b>Rear axle</b>		
Design weights (std.)		41.000	60.000	16.000	26.000		
Design weights (opt.)		45.000	100.000*	16.000	29.200		
* Irregular towing operations (max. gradient 7%)							
<b>KERBWEIGHTS (kg.) cab / wb.</b>		<b>4.250</b>	<b>5.020</b>	<b>5.820</b>			
Front axle		6.830	6.895	6.935			
Rear axle		3.730	3.815	3.845			
Total		10.560	10.710	10.780			
<b>PAYLOAD (kg.) @ G.V.W.</b>		30.440	30.290	30.220			
<b>DIMENSIONS (mm)</b>		<b>4.250</b>	<b>5.020</b>	<b>5.820</b>			
A	Wheelbase	4.250	5.020	5.820			
A1	Tandem	1.380	1.380	1.380			
B	Overall length (over bumpers)	8.447	9.482	10.022			
C	Front overhang	1.440	1.440	1.440			
D	Rear overhang	1.225	1.495	1.225			
E	Cab width	2.550	2.550	2.550			
	Back of cab to end of frame	6.558	7.594	8.134			
		6.118	7.153	7.693			
F	Cab gap	585 (760)	585 (760)	585 (760)			
	(with vertical exhaust muffler)	1025(1210)	1025(1210)	1025(1210)			
K	Cab height (unladen)	3.147	3.147	3.147			
L	Frame height at rear frame end	1.087	1.093	1.093			
	Frame thickness	10	10	10			
	Turning circle (wall to wall)	18.400	20.450	22.450			
M	Front track	2.040	2.040	2.040			
N	Rear track	1.827	1.827	1.827			
P	Ground clearance (front)	337	337	337			
	Ground clearance (rear)	310	310	310			
<b>TYRES &amp; WHEELS</b>		<b>Tyre code</b>	<b>Mission</b>	<b>Tyre dimensions</b>		<b>Wheel dimensions</b>	
				<b>Front</b>	<b>Rear</b>	<b>Front</b>	<b>Rear</b>
Standard	20079	C	13R22,5	13R22,5	22.5x9.00	22.5x9.00	
Option	20188	C	12.00R20	12.00R20	20x8.50	20x8.50	
Option	20764	D	12.00R24	12.00R24	24x8.50	24x8.50	
Tyre mission code: B = regional; C = all use; D = mix/off road							

NOTE: Weights are to standard specification and include water, oils, tool box, jack and 75 kg. driver. Kerb weights are subject to a manufacturing tolerance of +/- 5%. Sleeper cab adds +110 kg. (95 on front, 15 kg. on rear). Medium Roof on Sleeper Cab adds +230 kg. and H=625 mm. Automated gearbox reduces -45 kg.

# IVECO

## TRAKKER

### AD / AT 410T44 H

<b>ENGINE</b>	<b>Iveco Cursor 13</b>
Turbocharger	VG7
Cylinders in line	6
Bore (mm)	135
Stroke (mm)	150
Capacity (litres)	12,88
Max power (HP/kW)	440/324
@ rpm	1450-1900
Max torque (Nm/mKg)	2100/214
@ rpm	900-1470
E.E.C. emissions regulation	Euro 3
Cooling fan	2 speed electro-magnetic
Fuel system	Unit pump injector
Speed limiter	90kmh
Cruise control	Standard
Air admission / Filter type	Rear cab snorkel / dry - Horizontal

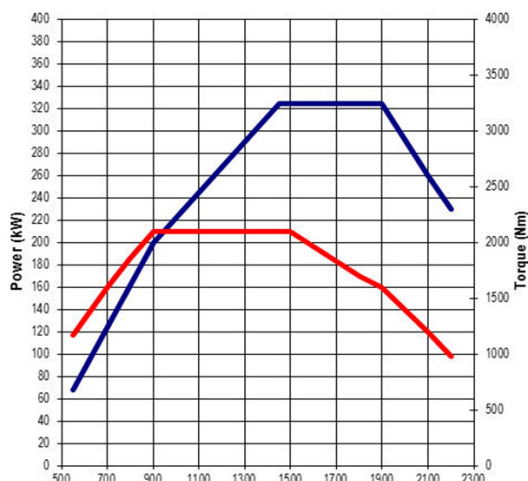
<b>GEARBOXES</b>	Ratios	<b>EUROTRONIC</b>	<b>MECHANICAL</b>		
		<b>16AS2630 TO</b>	<b>16S2220 TO</b>		
	1st	14,12		13,80	
	2nd	11,68		11,54	
	3rd	9,54		9,49	
	4th	7,89		7,93	
	5th	6,52		6,53	
	6th	5,39		5,46	
	7th	4,57		4,57	
	8th	3,78		3,82	
	9th	3,09		3,02	
	10th	2,56		2,53	
	11th	2,09		2,08	
	12th	1,73		1,74	
	13th	1,43		1,43	
	14th	1,18		1,20	
	15th	1,00		1,00	
	16th	0,83		0,84	
	Rev	13,07	10,8	12,92	10,8

<b>PERFORMANCE</b>	(with standard tyres)				
Type: ZF 16 AS 2630 TO					
Axle ratios available	<b>4,67</b>	4,23	5,01	5,56	6,09
Geared speed (km/h)	<b>101</b>	111	94	85	77
Gradeability % @ 41 t G.V.W.	<b>58</b>	51	64	75	87
Gradeability % @ 60 t G.C.W.	<b>37</b>	33	40	45	50
Type: ZF 16 S 2220 TO					
Axle ratios available	<b>4,23</b>	3,79	4,67	5,01	5,56
Geared speed (km/h)	<b>110</b>	123	100	93	84
Gradeability % @ 41 t G.V.W.	<b>50</b>	44	57	62	73
Gradeability % @ 60 t G.C.W.	<b>32</b>	28	36	39	44

<b>CLUTCH</b>	
Type	Single plate, diaphragm spring, pull type.
Diameter (mm)	(17") 430 mm

<b>BRAKES</b>	
Type	2 independent pneumatic circuits
Service	A.B.S. + E.B.L. on rear
Front axle (disc option)	Ventilated discs. 432 mm Friction area: 784 cm <sup>2</sup>
Front axle (drum option)	Duo-duplex drums. Dia.:410x180mm Friction area: 2884 cm <sup>2</sup>
Rear axle	Duo-duplex drums. Dia.:410x200mm Friction area: 3220 cm <sup>2</sup>
Parking	Mechanical with spring cylinder, rear.
Emergency	Combined with parking brake.
Air reservoirs	6 x 20 litres, steel
Engine – Iveco Turbo Brake	Decompression. Power: 306kW @ 2400 rpm
Air compressor	352cc – single cylinder
Heated air dryer	Air Processing Unit
Trailer connections	15 pin plug as alternative 7+7 pin

Cursor 13 - 440 HP



#### ELECTRICS

Tension	24v negative earth return
Alternator	28v, 90A
Starter	24v, 5.5kW
Batteries	2 x 12v, 170Ah
Circuits protected	By fuse
System	Multiplex - CAN line data bus

#### SUSPENSIONS

Front	Parabolic leaf
Rear	Semielliptic leaf
Anti roll bar	Front & 1st rear
Shock absorbers	4 on front

#### STEERING

Type ZF 8098	Power assisted
Steering wheel diameter	470 mm

#### AXLES

Steering with single wheels	Iveco 5886. Rigid.
Drive with twin wheels	Iveco 453291.Tandem. Hub reduction.
Differential lock	Cross and inter axle.
Rear axle ratio	See Performances.

#### FUEL TANK

Type and capacity	300lt., steel with lockable fuel cap.
-------------------	---------------------------------------

#### CAB INTERIOR

##### Active Time

Interior incorporating, air suspended 3-way adjustable driver's seat, inertia reel belt. Passenger seat 2 way adjustable with inertia reel belt. Soft feel dashboard with multi-functional steering wheel incorporating touch button menu controls for the real time digital dash display. Dual scale speedometer. All gauge functions monitored using international symbols. Heater. Left and right hand entry assist handles. Pneumatic adjustable steering column, 2 column mounted control stalks, left stalk operating the indicators, main beam, windscreen wash wipe, (if provided) right stalk operating Eurotronic 2 gear change, engine brake, cruise control and variable speed limiter. If provided, left of the steering column is the dash mounted Eurotronic gearbox controls for automatic and semi-automatic modes, neutral, reverse and low speed manoeuvring mode (forward and reverse). Overhead console for CB radio. Courtesy and map reading lights. Electronic PTO switch and in cab preparation. Fabric trim cab interior. Single low level bunk with under bunk storage, bottle holder & storage and control panel.

##### Active Day

As above without bunk & under storage, with rear bulk head storage & writing pad.

#### CAB EXTERIOR

##### Active Time

Forward control cab. Galvanised pressed steel construction, with SMC for vulnerable parts. Helical spring suspension and dampers. Hydraulic cab tilt to 60 deg. Tinted electric door windows and tinted laminated screen. Manual rear-view mirrors plus kerb and wideangle mirrors, according to 2003/97/EC. Blind rear cab panel. External stowage for tools. Steel front bumper.

##### Active Day

As above without external stowage.

#### CHASSIS

Type	Ladder construction. Pressed steel side members and riveted and bolted cross members.
Side member length (mm)	309
Flange width (mm)	80

NOTE: The information in this literature is intended to be of a general nature only. Iveco reserves the right to modify or change specification at any time.