



Overseas model shown.  
Illustration may contain optional features to the model.

### ENGINE

Power: 360hp (265kW) @ 2200rpm  
Torque: 1650Nm @ 1200rpm

### TRANSMISSION

6 Speed full automatic

### MASS RATINGS

GVM: 28500kg  
GCM: 28500kg

### WHEELBASE

5020mm | 5300mm | 5600mm

### KEY FEATURES

- Compliant to Euro VI STEP E Emission standard
- Fully compatible with alternative fuels: B7 biodiesel blend (EN 590) and HVO renewable diesel (EN 15940)
- Advanced Emergency Braking System
- Adaptive Cruise Control
- Lane Departure Warning
- Full LED Headlights with cornering fog lights
- 7" Infotainment system with Apple CarPlay®
- Climate control HVAC system

### WARRANTY

- Standard Warranty  
3 Years/500,000km/6000hrs (whichever occurs first)
- Extended Warranty  
Optional - Up to 5 Years/500,000km/10,000hrs (whichever occurs first)

	Driveline Only	Driveline & other components
Driveline	•	
Driveline Plus	•	•

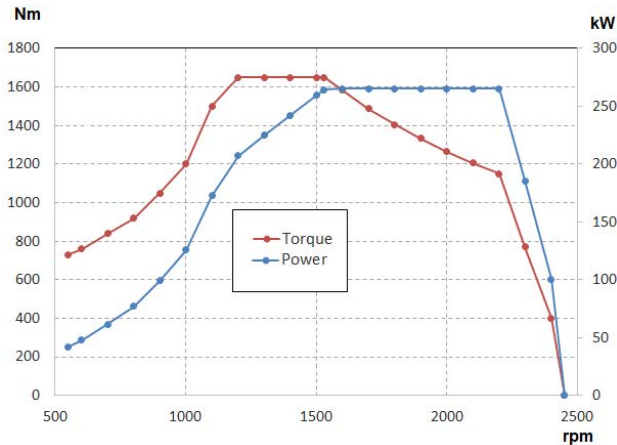
### MAINTENANCE & REPAIR CONTRACTS

	Maintenance	Friction	Repair
Service Bond	•		
Friction	•	•	
Easy Road	•	•	•

Contracts available up to 5 years/500,000kms (whichever occurs first)  
\*Please refer to the 'Standard Inclusions List' at your IVECO dealer.

## ENGINE

Engine Model	Cursor 9
Total Displacement	8710cm <sup>3</sup>
Maximum Power	360hp (265kW) @ 2200rpm
Maximum Torque	1650Nm @ 1200rpm



Injection type	Direct
Fuel Injection system	Common rail
Bore & Stroke	117 & 135mm
After-Treatment System	Hi-e SCR after-treatment system with DOC: Diesel Oxidation Catalyst DPF: Diesel Particulate Filter SCR: Selective Catalytic Reduction CUC: Clean Up Catalyst
Emission Compliance	Euro VI STEP E
Alternative Fuel Compatibility	B7 biodiesel blend (EN 590) and HVO renewable diesel (EN 15940)

## TRANSMISSION

Description	Automatic Transmission
Make & Model	Allison 3200
Shifter type	Dash mounted electronic shifter with column mounted sequential shifter
Gear ratios:	1st: 3.49      5th: 0.75 2nd: 1.86      6th: 0.65 3rd: 1.41      Rev 5.03 4th: 1.00
Torque converter:	Allison TC-418
Stall torque ratio:	1.77

## POWER TAKE-OFF

Rear engine PTO	Without Rear Engine PTO
Gearbox Power PTO	Top mount PTO - Equipped
PTO Control	Equipped with activation switch and electrics

## REAR AXLE RATIO

Rear Axle Ratio	Standard: 5.67:1
-----------------	------------------

## PERFORMANCE

Engine RPM @ 100km/h	1870
Road speed limiter	100km/h, Conforms to ADR65
Gradeability <sup>1</sup> @ Rated GVM	33%

<sup>1</sup>This is theoretically calculated. Actual performance may vary under different conditions.

## AXLE & SUSPENSION

Front Axle Model & Type	2x 5890/D ON - Axle drop: 142mm
Front suspension	Load sharing air suspension with dampers
FA & suspension capacity	12000kg
FA group mass rating	12000kg (with tyres)
Front Stabiliser bar	Diameter: ø45mm/ Roll rate: 3300Nm/Deg
Rear Axle Model & Type	MT23-150/D - Tandem Single reduction
Rear suspension	8 Bellow air suspension with ECAS Stroke: Raise/lower - 125mm/-65mm
Rear dampers	Equipped
RA & suspension capacity	23000kg
RA group mass rating	21000kg (with tyres)
Rear Stabiliser bar	Diameter: ø60mm/ Roll rate: 8247Nm/Deg
Axle load indicator	Equipped (with pneumatic suspension only)
Differential Cross Lock	Equipped
Road friendly suspension Certification	RFCN: RF2103

## BRAKES & AUXILIARY BRAKES

Type/Control	Full air/Electronic Braking System (EBS) - ABS (Anti-lock Braking System) - ASR (Anti-Skid Regulator) - DPI (Direct Brake Integration) - BAS (Brake Assistant System) - BVR (Brake Lining Wear Adjustment) - ARB (Hill Holder) - ESC (Enhanced Stability Control)
Front axle	Ventilated Disc: Diameter 432mm/ Braking surface : 784cm <sup>2</sup>
Rear axle	Ventilated Disc: Diameter 432mm/ Braking surface : 784cm <sup>2</sup>
Engine brake with 3 level retardation	Equipped
Transmission Intarder	Optional

## CHASSIS

Dimensions	304.4x80x7.7mm
Chassis width (at rear)	771.4mm
Material	Steel
Tensile strength	610N/mm <sup>2</sup>
Exhaust Pipe	Chassis mounted ATS & Horizontal pipe
Air Tanks	Aluminium
Front tow hook	Equipped
Towing cross member	N/A

## WHEELS & TYRES

Rim Type	10-Stud disc wheel (ISO type) PCD 335mm Finish: Brushed Alloy
Rim size	22.5" x 8.25"
Tyre size	Front 295/80R22.5 Rear 295/80R22.5

## FUEL & ADBLUE® TANK

Fuel Tank with lockable cap	290L
AdBlue® Tank	50L

## FUEL SAVING FEATURES

Engine idle cut off	Equipped
EcoSwitch	Equipped

## SAFETY FEATURES

Electronic Stability Programme (ESP)	Equipped
Anti-lock Brake System (ABS)	Equipped
Anti-slip Regulator (ASR)	Equipped
Advanced Emergency Braking System (AEBS)	Equipped
Adaptive Cruise Control (ACC)	Equipped
Lane Departure Warning System (LDWS)	Equipped
Reverse Buzzer	Equipped
Daytime Running Lamp (DRL)	Equipped
ECE-R29 Cab Strength Certification	Equipped
ECE-R93 Front Underrun Protection (FUP)	Equipped

## ELECTRICAL & ELECTRONICS

Voltage	24V System
Batteries	2x 12 Volt/220Ah Batteries
Electrical battery cutout	Optional
Battery position	Between 2nd & 3rd axles - RHS
Alternator	28 Volt/90A
Fleet Management System data interface (FMS)	Equipped
Chassis mounted jump start plug	Equipped
CAN OPEN Bodybuilder interface	Equipped
LED Headlamp - Low beam	Equipped
LED Headlamp - High beam	Equipped
Daytime Running Lamp (DRL)	Equipped
Fog light with cornering & bending	Equipped
Provision for roof rotating lights	Equipped with harness & switch in cab
Chassis mounted pneumatic horn	Equipped

## STEERING

Telescopic & Tilt adjustable steering column	Equipped
Steering wheel	Soft touch steering wheel with following: - Controls for the information screen - Controls for the phone - Activation for voice recognition - Controls for ACC (Adaptive cruise control) - Controls for radio/media volume
Steering angle	1st FA: Inside: 50° Outside: 35° 2nd FA: Inside: 30.5° Outside: 24°

## SERVICE INTERVALS

Engine oil change interval <sup>2</sup>	50,000km/12 Months
---	--------------------

<sup>2</sup>Based on normal operating conditions and may be reduced when operating under severe conditions.

## CAB EXTERIOR

Cab type	Low roof Day cab (AD)
Cab tilt mechanism	Servo assisted cab tilt mechanism
Cab mounting	Mechanical suspension front & rear
Windscreen Wipers	Automatic - Rain sensing 2 Speed with Integrated Washer Nozzles
Front Bumper	Multi-piece Plastic front bumper with foldable step Optional: Multi-piece hybrid front bumper with foldable step

Rearview mirrors	2 x Motorised, heated flat main mirrors & convex spotters 1 x LHS kerb view & front view mirrors
External Sunvisor	Optional
Colour	White IC 194

## CAB INTERIOR

Seating capacity	Two
Driver Seat	Fabric, Air suspended, Heated, 3-Way adjustable seat
Passenger Seat	Fabric, Air suspended, Heated, 3-Way adjustable seat
Seat Belt	3-point Lap/Sash type
Sun visor & overhead consoles	Equipped on both driver & Passenger side 7" LCD HD touch screen display DAB + AM/FM radio USB input, Bluetooth® connectivity Smart phone mirroring Apple CarPlay®
Multimedia unit	Voice recognition In built Tom Tom Satellite navigation system Reverse/Side camera compatible USB charging ports (TYPE A) 12 Volt power socket
HVAC System	Equipped - with climate control
Immobiliser	Equipped - with 3 x remote central lock keys
Power Windows	Equipped
Cup holders	Equipped
Interior lighting	LED Internal Lights
Rollup sun blinds for doors	Equipped

## GENUINE ACCESSORY OPTIONS

- Phone Cradle	- Rubber Floor Mats
- Cameras	- Seat Covers
- Foot Well Liners	- 24 to 12 Volt Voltage Reducer

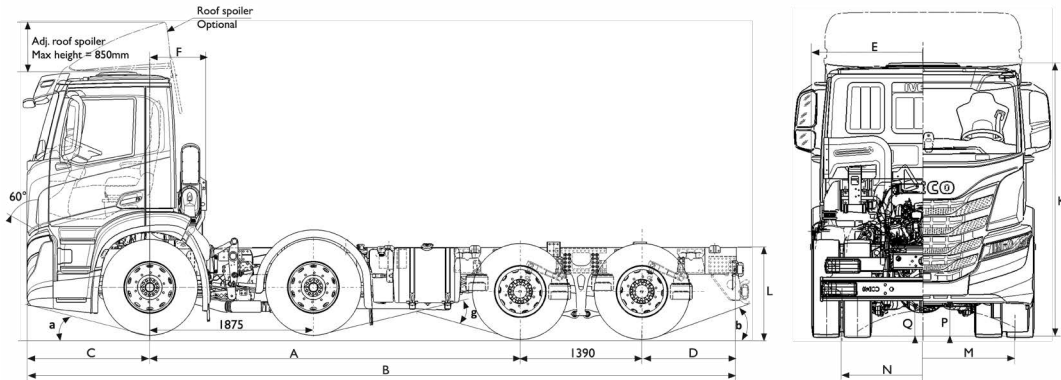
Please check with your dealer for availability and price.

## IVECO TELEMATICS

Telematics Hardware	Equipped (GSM & GPS & Antenna & 4G SIM) with provision for mobile cradle. Upon subscription. Features include: - MYIVECO Smart report
Smart connectivity pack (Included for 5 years)	- MYIVECO Web portal & mobile app - MYIVECO Vehicle monitoring & remote assistance - MYIVECO Easy Way app
Premium pack	Optional

## AD270A36Z/FP

Application: Rigid



### DIMENSIONS & WEIGHTS

Wheelbase - A (mm)	5020	5300	5600
Max length - B (mm)	9394	10609	9709
Max width over fenders - E (mm)		2500	
Front axle to back of cab - F (mm)		650	
Frame height at end of frame, unladen - L (mm)	1015	1014	1015
Front overhang - C (mm)		1410	
Rear overhang - D (mm)	1488	2433	1218
Minimum ground clearance, front - P (mm)	301		
Minimum ground clearance, rear - Q (mm)	237		
Overall height - K (mm)	3042	3042	3042
Turning diameter, kerb to kerb (mm)	19200	19950	20700
Turning diameter, wall to wall (mm)	20800	21550	22300
Front track - M (mm)		2062	
Rear track - N (mm)		1815	
Approach angle - $\alpha$ (°)	17	17	17
Ramp angle - $\gamma$ (°)	22	22	19
Departure angle - $\beta$ (°)	22	13	27
Total vehicle kerb weight (kg)	9022	9192	9124
Kerbweight on Front Axle (kg)	6100	6088	6256
Kerbweight on Rear Axle (kg)	2922	3104	2868
Gross Vehicle Mass - Plated (kg)		28500	
Gross Combination Mass - Plated (kg)		28500	

\*Indicative chassis tare mass with Standard options, without fuel, Adblue® and driver.  
 ±3% tolerance apply. Approximate mass of the optionals:  
 I. Transmission Intarder: 37kg

#### DISCLAIMER:

IVECO TRUCKS AUSTRALIA PTY LTD. ABN 86 004 065 061 ("IVECO") DISTRIBUTES IVECO TRUCKS IN AUSTRALIA AND NEW ZEALAND. THE INFORMATION AND IMAGES IN THIS DOCUMENT ARE PROVIDED AS A GUIDE ONLY. IVECO RESERVES THE RIGHT TO MAKE CHANGES AT ANY TIME WITHOUT NOTICE TO THE INFORMATION CONTAINED IN THIS DOCUMENT FOR ANY COMMERCIAL REASONS. ALWAYS CONSULT YOUR AUTHORISED IVECO DEALER TO ENSURE THE SPECIFICATIONS, EQUIPMENT, OPTIONS, AND DESIGN FEATURES INCLUDING COLOUR, ARE AVAILABLE FOR THE VEHICLE BEFORE DECIDING TO PLACE AN ORDER. SOME OPTIONS MAY ONLY BE AVAILABLE IN COMBINATION WITH OTHERS. OVERSEAS IMAGES ARE SHOWN THROUGHOUT THIS DOCUMENT AND THE IMAGES MAY INCLUDE EQUIPMENT WHICH IS NOT OPTIONAL. TO THE EXTENT PERMITTED BY LAW TO DO SO, IVECO SHALL NOT BE LIABLE TO ANY PERSON BECAUSE OF RELIANCE ON THE CONTENT CONTAINED IN THIS DOCUMENT. 03/2026