

# DAILY E6

VAN  
35S, 50C & 70C



Overseas Model Shown

## ENGINES\*

Power/Torque 100kW/350Nm  
Power/Torque 132kW/430Nm  
Power/Torque 155kW/470Nm

## TRANSMISSION

6 Speed Manual  
8 Speed Auto Transmission (optional)

## MASS RATINGS (GVM)

35S 3800 kg  
50C 4495 kg  
50C 5200 kg (optional)  
70C 7000 kg

## WHEELBASE (mm)

35S 3000-4100 mm  
50C 3520-4100 mm  
70C 4100 mm

## KEY FEATURES

Optional 8 Speed Auto Transmission  
Steel C section chassis rails  
Multiple Pack Options  
Heated and suspended Driver's Seat  
Adaptive Cruise Control

## MAINTENANCE & REPAIR

ServiceBond – Up to 5 Years/300,000 km  
EasyRoad - Up to 5 Years/300,000 km  
Extended Warranty - Up to 5 Years/300,000 km

\*For available options & details see the next pages.

**IVECO**  
Drive the road of change

## Specifications 35S VAN

### Dimensions (mm)

A Wheelbase	3000	3520	3520	4100
B Overall length	5476	5687	6087	7252
C Front overhang	1048	1048	1048	1048
D Rear overhang	1119	1119	1519	2104
E Overall width (Cab)	2052	2052	2052	2052
K Overall height unladen	2315	2314	2660	2663
M Front track width	1740	1740	1740	1740
N Rear track	1704	1704	1704	1704
P Front Ground Clearance	140	140	140	140
Q Rear Ground Clearance	155	155	155	155
Turning circle kerb to kerb	10546	12084	12084	13800
Turning circle wall to wall	11200	12744	12744	14466

### Cargo Area (mm)

Volume (m <sup>3</sup> )	7.3	9	12	16
Internal length	2610	3130	3540	4680
Internal width	1740	1740	1740	1740
Internal height	1545 (H1)	1545 (H1)	1900 (H2)	1900 (H2)
Height of loading floor - unladen	715	685	682	685
Wheel house distance (int.)	1317	1317	1317	1317
Rear door opening width	1530	1530	1530	1530
Rear door opening height	1450	1450	1800	1800
Side door opening width	1100	1260	1260	1260
Side door opening height	1425	1425	1800	1800

### Mass (kg)

GVM	3800*	3800*	3800*	3800*
GCM	7300	7300	7300	7300
Towing capacity with braked trailer	3500	3500	3500	3500
Front axle capacity	1900	1900	1900	1900
Rear axle capacity	2430	2430	2430	2430
Kerb mass front axle	1359	1444	1372	1420
Kerb mass rear axle	806	777	907	1013
Kerb mass total**	2165	2221	2279	2433
Payload capacity	1635	1579	1521	1367

\* 3500kg GVM and 6700kg GCM with rear air suspension

\*\* Kerb masses are with minimal fuel, spare wheel, tools and no driver

### Front Axle & Suspension

**Capacity:** 1900 kg

**Suspension Type:** Double wishbone with transversal leaf spring

### Rear Axle & Suspension

**Capacity:** 2430 kg

**Suspension Type:** Rear parabolic spring

**Optional Suspension:** ECAS - Rear air suspension (3.5T GVM)

**Capacity:** 2240 kg (35S 3.5T GVM)

**Rear axle ratio:** 3.60: 1

### Brakes

**Front / Diameter:** Disc brakes / 300 mm

**Rear / Diameter:** Disc brakes / 296 mm

**Parking brake:** Electronic

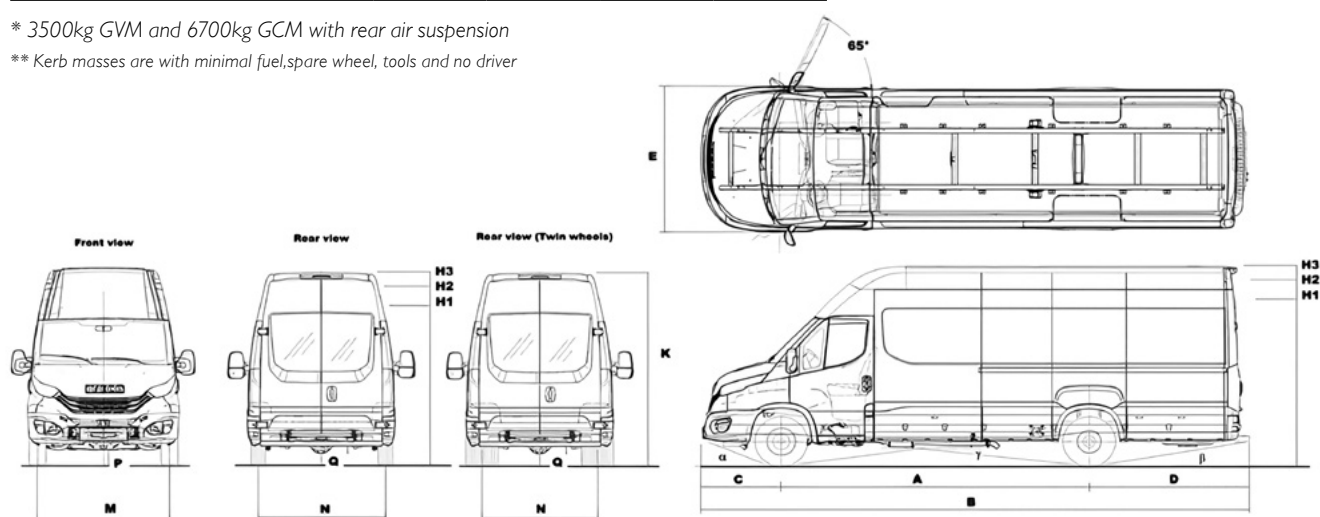
**Service brakes:** Full ABS disc brakes with floating calipers and auto wear adjustment. Hydraulically operated with vacuum servo assistance. Dual independent cross split circuit configuration. Low Brake fluid level indicator - front & rear pad wear sensors. Asbestos free pads.

### Wheels & Tyres

**Wheels:** Steel 6.5J x R16

- Spare wheel included - in load compartments on some models
- Single rear wheel

**Tyre Size:** 235/65 R16



# DAILY E6

## Specifications 50C VAN

### Dimensions (mm)

A Wheelbase	3520	4100	4100	4100
B Overall length	6109	7274	7274	7674
C Front overhang	1048	1048	1048	1048
D Rear overhang	1541	2126	2126	2526
E Overall width (Cab)	2052	2052	2052	2052
K Overall height unladen	2748	2752	2944	2945
M Front track width	1724	1724	1724	1724
N Rear track	1542	1542	1542	1542
P Front Ground Clearance	197	197	197	197
Q Rear Ground Clearance	162	162	162	162
Turning circle kerb to kerb	12744	14564	14564	14564
Turning circle wall to wall	13366	15190	15190	15190

### Cargo Area (mm)

Volume (m <sup>3</sup> )	12	16	18	19.6
Internal length	3540	4680	4680	5125
Internal width	1740	1740	1740	1740
Internal height	1900 (H2)	1900 (H2)	2100 (H3)	2100 (H3)
Height of loading floor - unladen	770	774	774	775
Wheel house distance (int.)	1032	1032	1032	1032
Rear door opening width	1530	1530	1530	1530
Rear door opening height	1800	1800	2000	2000
Side door opening width	1260	1260	1260	1260
Side door opening height	1800	1800	1800	1800

### Mass (kg)

GVM	4495	4495	4495	4495
GVM Option	5200	5200	5200	5200
GCM	7995	7995	7995	7995
GCM Option	8700	8700	8700	8700
Towing capacity with braked trailer	3500	3500	3500	3500
Front axle capacity	2100	2100	2100	2100
Rear axle capacity	3700	3700	3700	3700
Kerb mass front axle	1488	1512	1520	1513
Kerb mass rear axle	1065	1177	1193	1230
Kerb mass total*	2553	2689	2713	2743
Payload capacity	1942	1806	1782	1752

\* Kerb masses are with minimal fuel, spare wheel, tools and no driver

### Front Axle & Suspension

**Capacity:** 2100 kg

**Suspension Type:** Independent with adjustable steel torsion bar

### Rear Axle & Suspension

**Capacity:** 3700 kg

**Suspension Type:** Rear parabolic spring

**Optional Suspension:** ECAS - Rear air suspension

**Rear axle ratio:** 3.60: 1

**Optional Differential:** Driver Controlled Differential Lock

### Brakes

**Front / Diameter:** Disc brakes / 290 mm

**Rear / Diameter:** Disc brakes / 290 mm

**Parking brake:** Electronic

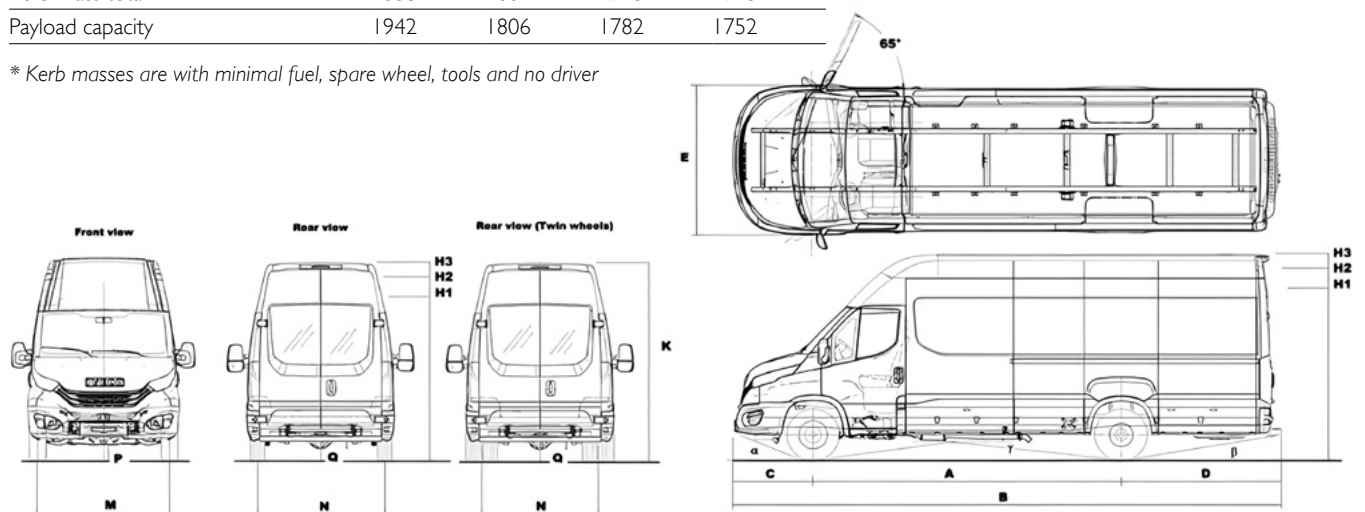
**Service brakes:** Full ABS disc brakes with floating calipers and auto wear adjustment. Hydraulically operated with vacuum servo assistance. Dual independent circuit configuration. Low Brake fluid level indicator - front & rear pad wear sensors. Asbestos free pads.

### Wheels & Tyres

**Wheels:** Steel 5J x R16

- Spare wheel included - in load compartments on some models
- Dual rear wheels

**Tyre Size:** 195/75 R16



## Specifications 70C VAN

### Dimensions (mm)

A Wheelbase	4100 (H3)	4100 (H3)
B Overall length	7264	7664
C Front overhang	1048	1048
D Rear overhang	2116	2516
E Overall width (Cab)	2052	2052
K Overall height unladen	3041	3054
M Front track width	1725	1725
N Rear track	1660	1660
P Front Ground Clearance	206	206
Q Rear Ground Clearance	160	160
Turning circle kerb to kerb	14108	14108
Turning circle wall to wall	14758	14758

### Cargo Area (mm)

Volume (m <sup>3</sup> )	18	19.6
Internal length	4680	5125
Internal width	1740	1740
Internal height	2100 (H3)	2100 (H3)
Height of loading floor - unladen	871	884
Wheel house distance (int.)	1032	1032
Rear door opening width	1530	1530
Rear door opening height	2000	2000
Side door opening width	1260	1260
Side door opening height	1800	1800

### Mass (kg)

GVM	7000	7000
GCM	10500	10500
Towing capacity with braked trailer	3500	3500
Front axle capacity	2500	2500
Rear axle capacity	5350	5350
Kerb mass front axle	1602	1601
Kerb mass rear axle	1445	1475
Kerb mass total*	3047	3076
Payload capacity	3953	3924

\* Kerb masses are with minimal fuel, spare wheel, tools and no driver

### Front Axle & Suspension

**Capacity:** 2500 kg

**Suspension Type:** Independent with adjustable steel torsion bar

### Rear Axle & Suspension

**Capacity:** 5350 kg

**Suspension Type:** Rear parabolic spring

**Optional Suspension:** ECAS - Rear air suspension

**Rear axle ratio:** 70C - 4.30:1

**Optional Differential:** Driver Controlled Differential Lock

### Brakes

**Front / Diameter:** Disc brakes / 301 mm

**Rear / Diameter:** Disc brakes / 306 mm

**Parking brake:** Electronic

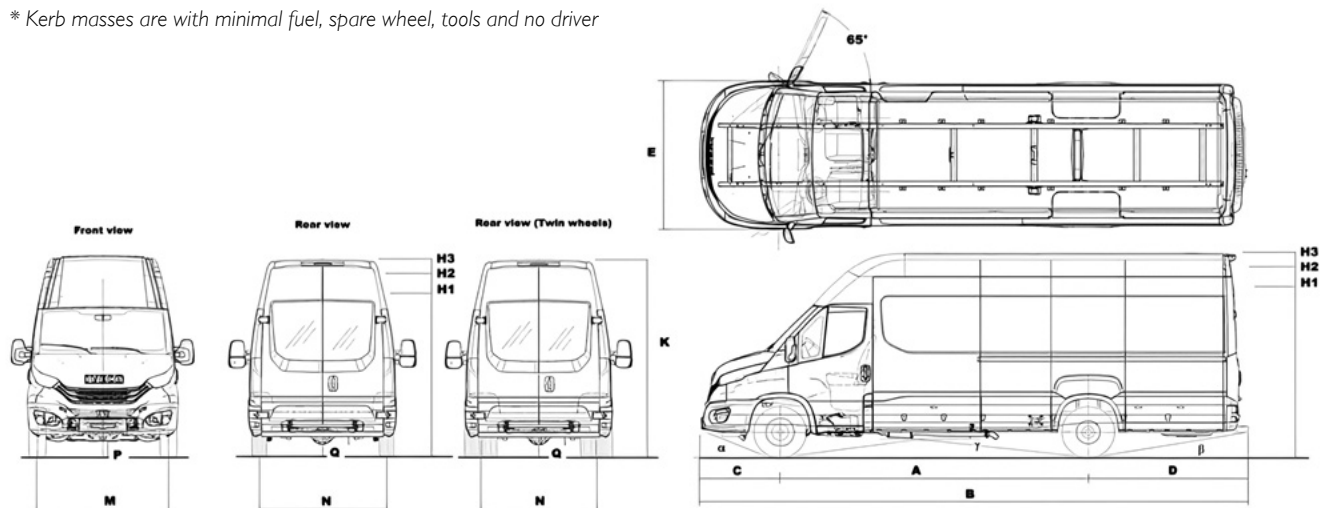
**Service brakes:** Full ABS disc brakes with floating calipers and auto wear adjustment. Hydraulically operated with vacuum servo assistance. Dual independent circuit configuration. Low Brake fluid level indicator - front & rear pad wear sensors. Asbestos free pads.

### Wheels & Tyres

**Wheels:** Steel 6J x R16

- Spare wheel included - in load compartments on some models
- Dual rear wheels

**Tyre Size:** 225/75 R16



## Specifications

### Engine

136EVID FIA Euro 6 Heavy Duty engine (standard on 35S)  
4 stroke diesel with direct-injection, intercooler and electronic-controlled variable geometry turbine (e-VGT).

**Maximum Output 136EVID:** 100 kW (136 hp) @ 3600 rpm

**Maximum Torque 136EVID:** 350 Nm (258 ft-lbs) @ 1500 rpm

180EVID FIC Heavy Duty Euro 6 engine (Standard on 50C & 70C)  
4 stroke diesel with direct-injection, Variable Geometry Turbocharger (VGT) and intercooler

**Maximum Output: 180EVID:** 132 kW (180 hp) @ 3500 rpm

**Maximum Torque: 180EVID:** 430 Nm (317 ft-lbs) @ 1500 rpm

**Optional Engine available on 35S, 50C and 70C:** 210EVID -  
Engine FIC 210 Hp EURO 6 Heavy Duty 4 stroke diesel with direct-injection and electronically-controlled variable geometry turbine (e-VGT)

**Maximum Output: 210EVID:** 155 kW (210 hp) @ 3500

**Maximum Torque: 210EVID:** 470 Nm (347 ft-lbs) @ 1500

**Emissions Technology:** Exhaust Gas Recirculation and Selective Catalytic Reduction

**Total Displacement:** FIA: 2.3 litre, FIC: 3.0 litre

**Exhaust:** Muffler horizontally positioned on the right side and tailpipe located mid-way down right side of vehicle

### Transmission

6-speed Synchronesh Double Overdrive Manual Transmission

**Type:** 2835.6 DOD (136 hp)

1st 5.004, 2nd 2.635, 3rd 1.503, 4th 1.000, 5th 0.812 OD, 6th 0.685 DOD, Rev. 4.189

6-speed Synchronesh Manual Transmission

**Type:** 2840.6 OD (180 hp) 1st 5.375, 2nd 3.154, 3rd 2.041, 4th 1.365, 5th 1.000, 6th 0.791 OD, Rev.4.838

**Optional Transmission:** 8-speed ZF Torque Converter Automatic (Hi-Matic)

**Type:** 8V470A - 1st 4.696, 2nd 3.130, 3rd 2.104, 4th 1.667, 5th 1.285, 6th 1.000, 7th 0.839 OD, 8th 0.667 DOD, Rev. 3.297

### Steering

**Type:** Electric Power Steering (EPS)

**Diameter:** 380 mm diameter steering wheel with telescopic and tilt adjustment

### Clutch

**Type:** Single dry plate hydraulic control

**Diameter:** 267 mm (136 hp); 280 mm (180 hp)

### Fuel System

100 litres with fuel cap location on passenger side (70 litres on 7.3m3)

20 litre Adblue

### Electrical System

**Type:** 12V

**Battery:** 12V-110 Ah (Smart-charging)

**Smart Alternator:** 12V-220 A

**Trailer:** Wiring to rear of chassis

### Chassis

**Type:** C Section steel longitudinal side members and tubular cross members

### Cabin Features

- Driver, passenger and curtain airbags with seat belt pretensioners
- Suspended, heated and fully adjustable driver seat with armrest
- Bench seat with two occupant capacity, under seat storage and fold down table
- Adaptive cruise control
- Electric windows
- Exterior mirrors with integrated wide angle and direction indicators, heated and electronically adjustable
- Overhead console with storage shelf
- Large dual storage pockets in doors
- Document storage compartment
- Body builder connections
- 2 cup and 2x bottle holders
- Air conditioning
- Electronic parking brake
- Ecoswitch Pro
- 2 spotlights
- 4 loud speakers



Overseas Model Shown

## Specifications

### Safety

- **ESP9** - Includes: ABS (Antilock Braking System), EBD (Electronic Brake force Distribution), ASR (Anti Slip Regulator), MSR (Motor Drag torque control) Hill Holder (Assisted uphill departure), HBA (Hydraulic Brake Assist), LAC (Load Adaptive Control), TSM (Trailer sway mitigation), RMI (Roll Movement Intervention), & ROM (Roll Over Mitigation)
- Four SRS airbags
- Advanced Emergency Braking System (AEBS)
- Reverse Camera

### Lights

- Daytime running lights
- Full L.E.D Headlights (available with Hi-Business Pack)

### Dashboard

- 3.5" high resolution TFT colour display and silver dial rings
- TFT Display Panel includes: digital speedometer, ADAS (Advanced Driver-Assistance Systems) dashboard, ADAS quick menu, TPMS, oil, battery and service information. Navigation and phone multimedia, fuel economy, trip computer, vehicle settings, display settings and diagnostics.
- Engine oil level display
- Hi-Connect Multimedia System - Apple CarPlay, Android Auto, DAB Radio, MP3 player, USB and AUX connectivity, Bluetooth with steering wheel controls
- Instrument light dimmer switch
- Dash-mounted gear lever
- 3 storage areas on top of dash

### Security

- Central locking with remote control
- Steering lock
- Engine immobiliser
- Run Lock Function (Only available if Expansion Module option is selected)

### Load Area

- Floor – steel ribbed with load lashing rings
- Side access via top hung side sliding door internal step and grab handle
- Rear access by hinged doors with stops at 90° and 270° (180° on 7.3 m3) and grab handle
- Interior lights at side and rear (door operated with individual isolation)
- Full bulkhead with window



## Options

### 35C VAN Options:

7m <sup>3</sup> = 3000WB x 1545 (H1)	S
9m <sup>3</sup> = 3520WB x 1545 (H1)	O
12m <sup>3</sup> = 3520WB x 1900 (H2)	O
16m <sup>3</sup> = 4100WB x 1900 (H2)	O
FIC 3.0L engine: 180 hp / 430 Nm	O
FIC 3.0L engine: 210 hp / 470 Nm	O
8-speed Hi-Matic Automatic Transmission	O
ECAS rear air suspension	O
Windows in rear; doors heated and tinted	O
Window on sliding door (passenger side)	O
Dual sliding doors	O
Windowed dual sliding doors	O
Passenger seat: heated, suspended, adjustable with lumbar support	O
Remove bulkhead	O
Bulkhead for side door loading pallet mission	O
Rear step	S
Expansion module	O
Run lock function	O
Light aluminium alloy wheels	O
Crosswind Assist	O

O – Optional  
S – Standard

### 50C VAN Options:

12m <sup>3</sup> = 3520WB x 1900 (H2)	S
16m <sup>3</sup> = 4100WB x 1900 (H2)	O
18m <sup>3</sup> = 4100WB x 2100 (H3)	O
19.6m <sup>3</sup> = 4100LWB x 2100 (H3)	O
FIC 3.0L engine: 180 hp / 430 Nm	S
FIC 3.0L engine: 210 hp / 470 Nm	O
8-speed Hi-Matic Automatic Transmission	O
ECAS rear air suspension	O
Windows in rear; doors heated and tinted	O
Window on sliding door (passenger side)	O
Dual sliding doors	O
Windowed dual sliding doors	O
Passenger seat: heated, suspended, adjustable with lumbar support	O
Remove bulkhead	O
Bulkhead for side door loading pallet mission	O
Differential lock	O
Rear step	S
Expansion module	O
Run lock function	O
5.2 tonnes re-rating	O
Crosswind Assist	O

O – Optional  
S – Standard

### 70C VAN Options:

18m <sup>3</sup> = 4100WB x 2100 (H3)	S
19.6m <sup>3</sup> = 4100LWB x 2100 (H3)	O
FIC 3.0L engine: 180 hp / 430 Nm	S
FIC 3.0L engine: 210 hp / 470 Nm	O
8-speed Hi-Matic Automatic Transmission	O
ECAS rear air suspension	O
Windows in rear; doors heated and tinted	O
Window on sliding door (passenger side)	O
Dual sliding doors	O
Windowed dual sliding doors	O
Passenger seat: heated, suspended, adjustable with lumbar support	O
Remove bulkhead	O
Bulkhead for side door loading pallet mission	O
Differential lock	O
Rear step	O
Expansion module	O
Run lock function	O
Crosswind Assist	O

O – Optional  
S – Standard

## Optional Upgrade Packs

### Hi-Business Pack

- Fog lights
- Full L.E.D Headlights
- Open storage with inductive plus USB charge
- Hi-Connect multimedia system with GPS navigation

### Hi-Comfort Pack

- Leather covered steering wheel
- Automatic controlled air conditioning
- Tyre Pressure Monitoring System (TPMS)
- Automatic wipers and headlights control

### Hi-Technology Pack – Automatic Transmission

- City brake
- Queue assist
- Traction plus and hill descent
- Automatic high beam control
- Lane departure warning system + Proactive lane keep assist

### Hi-Technology Pack – Manual Transmission

- City brake
- Traction plus and hill descent
- Automatic high beam control
- Lane departure warning system + Proactive lane keep assist



Disclaimer:

IVECO Trucks Australia Pty Ltd. ABN 86 004 065 061 ("IVECO") distributes IVECO trucks in Australia and New Zealand. The information and images in this document are provided as a guide only. IVECO reserves the right to make changes at any time without notice to the information contained in this document for any commercial reasons. Always consult your authorised IVECO Dealer to ensure the specifications, equipment, options, and design features including colour, are available for the vehicle before deciding to place an order, some options may only be available in combination with others. Overseas images are shown throughout this document and the images may include equipment which is not optional. To the extent permitted by law to do so, IVECO shall not be liable to any person because of reliance on the content contained in this document.